

TOSHIBA

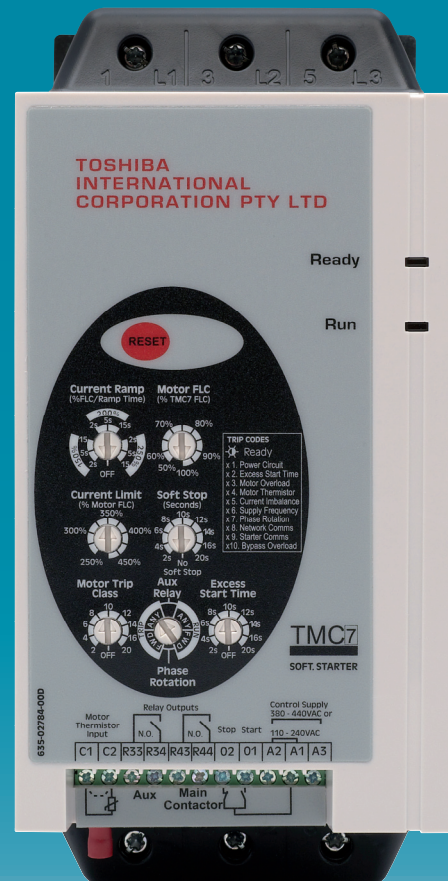
Leading Innovation >>>

TMC7 series Digital Soft Starter

With Built-in:

- By-pass contacts
- Motor protection function
- Communication (optional)

Compact TMC7 series soft starter is designed to start motors up to 110kW in most efficient and economical manner. Its fully adjustable Start and Stop times coupled with over 4 x FLC (Full Load Current) limit, allows it to be used for most common applications in industry. Together with its accessories of remote key-pad and communication interfaces (MODBUS / PROFIBUS / DEVICENET / ASI), it is one of the most powerful soft starters on the market.



Benefits of TMC7

- ▶ Produces Smoother Starts and Stops
- ▶ Limits In-rush Currents
- ▶ Eliminates Currents Surges and Voltage Dips
- ▶ Reduces Mechanical Shock on Motor and the Coupled Machine
- ▶ Reduces Mechanical Damage
- ▶ Eliminates Water Hammer
- ▶ Decreases Equipment Downtime

Ideal for Starting:

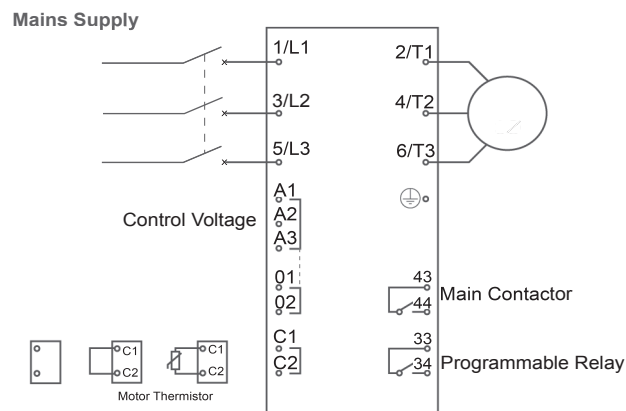
- ▶ Pumps
- ▶ Fans & Blowers
- ▶ Compressors and Chillers
- ▶ Conveyors
- ▶ Augers & Screw Feeders
- ▶ Industrial Machinery



TOSHIBA

Leading Innovation >>>

ELECTRICAL SCHEMATIC



RANGE

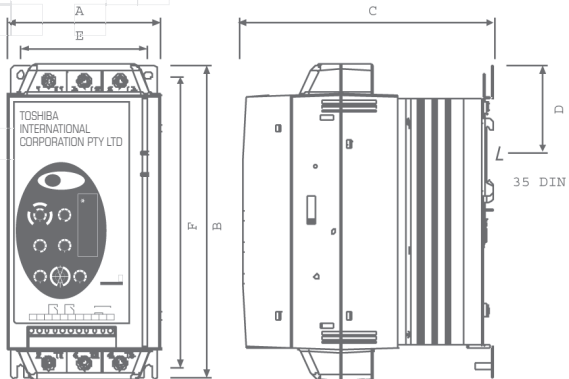
Model	kW @400V	Maximum Motor FLC at 40°C	
		4xFLC for 6sec AC53b 4-6:354	4xFLC for 20sec AC53b 4-20:340
TMC7- 4007 - C1	7.5	18 A	17 A
TMC7- 4015 - C1	15	34 A	30 A
TMC7- 4018 - C1	18.5	42 A	36 A
TMC7- 4022 - C1	22	48 A	40 A
TMC7- 4030 - C1	30	60 A	49 A
		(AC53b 4-6:594)	(AC53b 4-20:580)
TMC7- 4037 - C1	37	75 A	65 A
TMC7- 4045 - C1	45	85 A	73 A
TMC7- 4055 - C1	55	100 A	96 A
TMC7- 4075 - C1	75	140 A	120 A
TMC7- 4090 - C1	90	170 A	142 A
TMC7- 4110 - C1	110	200 A	165 A

TECHNICAL SPECIFICATIONS:

- Supply Voltage: 200-440 V AC (+10%, -15%), 3 Ph
- Supply Frequency: 45 - 66 Hz
- Control Voltage: 110-240 V AC & 380 - 440V AC
- Number of Starts: =<30kW: 10 starts /hour
=>37kW: 6 starts /hour
- Output Relay Contacts: 2A, 400V AC, AC11
- Degree of Protection: =< 55kW: IP20
> 55kW: IP00
- Max. Ambient Temperature: 60 Deg C
- Relative Humidity: 5 % to 95 %

DIMENSIONS

MODEL	A	B	C	D	E	F
TMC7- 4007 - C1						
TMC7- 4015 - C1						
TMC7- 4018 - C1	98 (3.86)	203 (7.99)	165 (6.50)	55 (2.17)	82 (3.23)	188 (7.40)
TMC7- 4022 - C1						
TMC7- 4030 - C1						
TMC7- 4037 - C1	145 (5.71)	215 (8.46)	193 (7.60)	-	124 (4.88)	196 (7.72)
TMC7- 4045 - C1						
TMC7- 4055 - C1						
TMC7- 4075 - C1	202 (7.95)	240 (9.45)	214 (8.40)	-	160 (6.30)	204 (8.03)
TMC7- 4090 - C1						
TMC7- 4110 - C1						



ADJUSTMENTS

1. Motor Full Load Current	$x\% = \frac{\text{Motor FLC}}{\text{TMC7 FLC}}$											
2. Current Ramp												
3. Current Limits												
4. Motor Trip Class												
5. Local Reset Push Button												
6. Soft Stop Time												
7. Excess Start Time												
8. Phase Rotation Protection	<table border="1"> <tr> <td>L1</td> <td>L2</td> <td>L3</td> <td>FWD</td> <td>ANY</td> </tr> <tr> <td>L1</td> <td>L2</td> <td>L3</td> <td>TMC7</td> <td>X</td> </tr> </table>	L1	L2	L3	FWD	ANY	L1	L2	L3	TMC7	X	
L1	L2	L3	FWD	ANY								
L1	L2	L3	TMC7	X								
9. Auxiliary Relay Function												



Above information is subject to change without notice.

TOSHIBA INTERNATIONAL CORPORATION PTY LTD ACN 29 001 555 068

www.toshiba.com.au

AUSTRALIA

NSW
Toshiba International Corporation Pty Ltd
2 Morton Street, Parramatta NSW 2150
Tel: (02) 9768 6600 Fax: (02) 98907546

QUEENSLAND
Toshiba International Corporation Pty Ltd
Unit 4-20 Smallwood Place Murarrie QLD 4172
Tel: (02) 3902 7888 Fax: (07) 3902 7878

VICTORIA
Toshiba International Corporation Pty Ltd
300 Wellington Road, Mulgrave VIC 3170
Tel: (03) 9562 2411 Fax: (03) 9562 2955

TASMANIA
Toshiba International Corporation Pty Ltd
14 Matthews Way, Devonport TAS 7310
Tel: (03) 6424 4608 Fax: (03) 6424 4608

WESTERN AUSTRALIA
Toshiba International Corporation Pty Ltd
10 Anderson Place, Perth International Airport WA 6105
Ph: 61 8 6272 5600 Fax: 61 8 6272 5601

MAITLAND
Toshiba International Corporation Pty Ltd
PO Box 86, Maitland NSW 2320
Tel: (02) 4930 5036 Fax: (02) 4930 5038

DISTRIBUTED BY: